

# HEF4526B

## Programmable 4-bit binary down counter

Rev. 5 — 22 November 2011

Product data sheet

### 1. General description

The HEF4526B is a synchronous programmable 4-bit binary down counter with active HIGH and active LOW clock inputs (CP0,  $\overline{CP1}$ ), an asynchronous parallel load input (PL), four parallel inputs (A0 to A3), a cascade feedback input (CF), four buffered parallel outputs (Q0 to Q3), a terminal count output (TC), an overriding asynchronous master reset input (MR) and a decoded TC output that can be used for divide-by-n applications. In single stage applications the TC output is connected to PL. CF allows cascade divide-by-n operation with no additional gates required.

Information on A0 to A3 is loaded into the counter while PL is HIGH, independent of all other inputs except MR, which must be LOW. When PL and  $\overline{CP1}$  are LOW, the counter advances on a LOW-to-HIGH transition of CP0. When PL is LOW and CP0 is HIGH, the counter advances on a HIGH to LOW transition of  $\overline{CP1}$ . TC is HIGH when the counter is in the zero state (Q0 = Q1 = Q2 = Q3 = LOW) and CF is HIGH and PL is LOW. A HIGH on MR resets the counter (Q0 to Q3 = LOW) independent of other inputs. The clock input is highly tolerant of slower clock rise and fall times due to Schmitt trigger action.

It operates over a recommended  $V_{DD}$  power supply range of 3 V to 15 V referenced to  $V_{SS}$  (usually ground). Unused inputs must be connected to  $V_{DD}$ ,  $V_{SS}$ , or another input.

### 2. Features and benefits

- Fully static operation
- 5 V, 10 V, and 15 V parametric ratings
- Standardized symmetrical output characteristics
- Specified from  $-40\text{ }^{\circ}\text{C}$  to  $+85\text{ }^{\circ}\text{C}$
- Complies with JEDEC standard JESD 13-B

### 3. Ordering information

**Table 1. Ordering information**

All types operate from  $-40\text{ }^{\circ}\text{C}$  to  $+85\text{ }^{\circ}\text{C}$ .

Type number	Package		Version
	Name	Description	
HEF4526BP	DIP16	plastic dual in-line package; 16 leads (300 mil)	SOT38-4
HEF4526BT	SO16	plastic small outline package; 16 leads; body width 3.9 mm	SOT109-1



### 4. Functional diagram

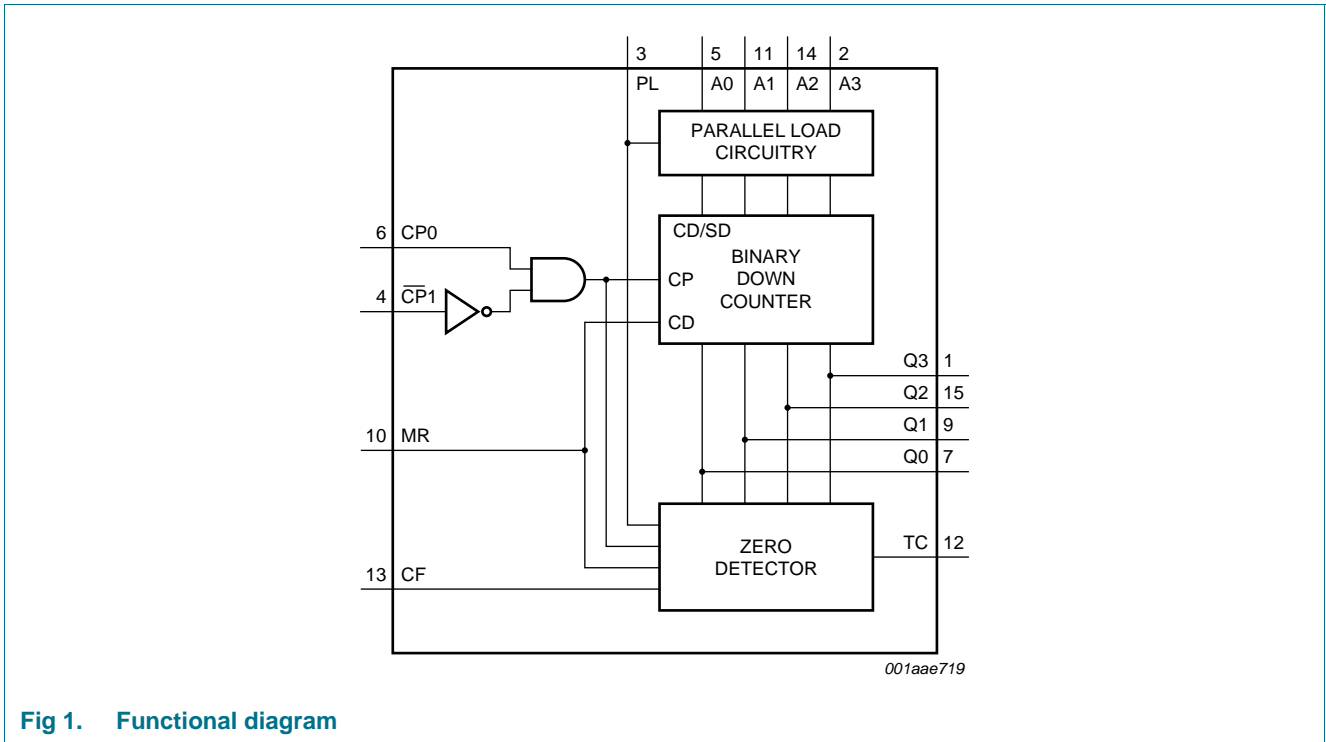


Fig 1. Functional diagram

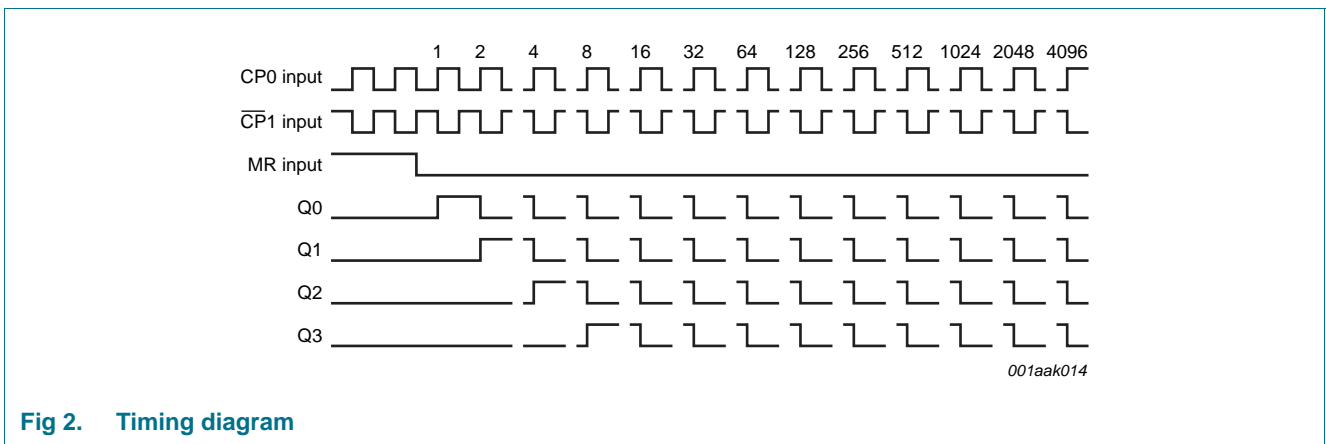
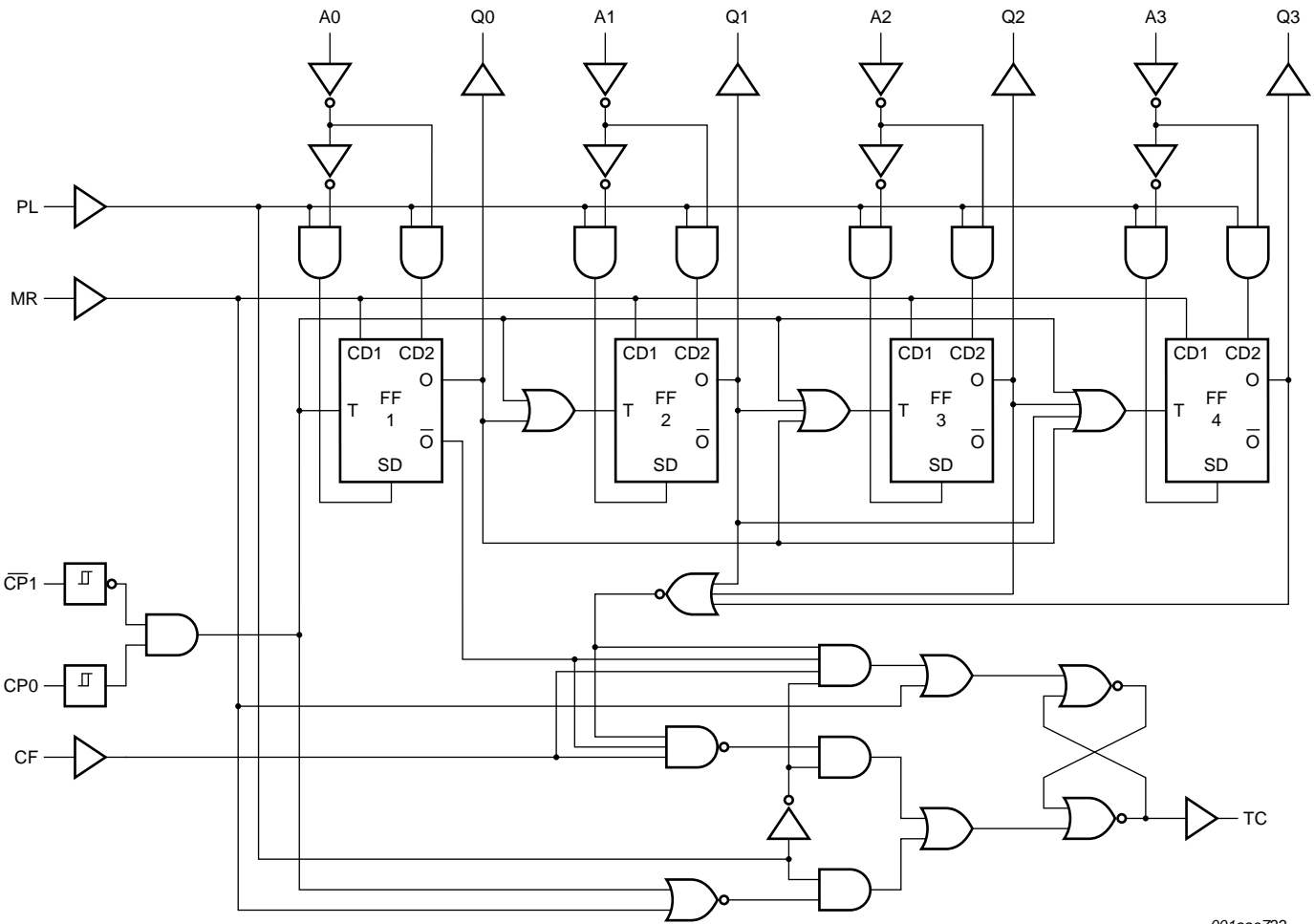


Fig 2. Timing diagram

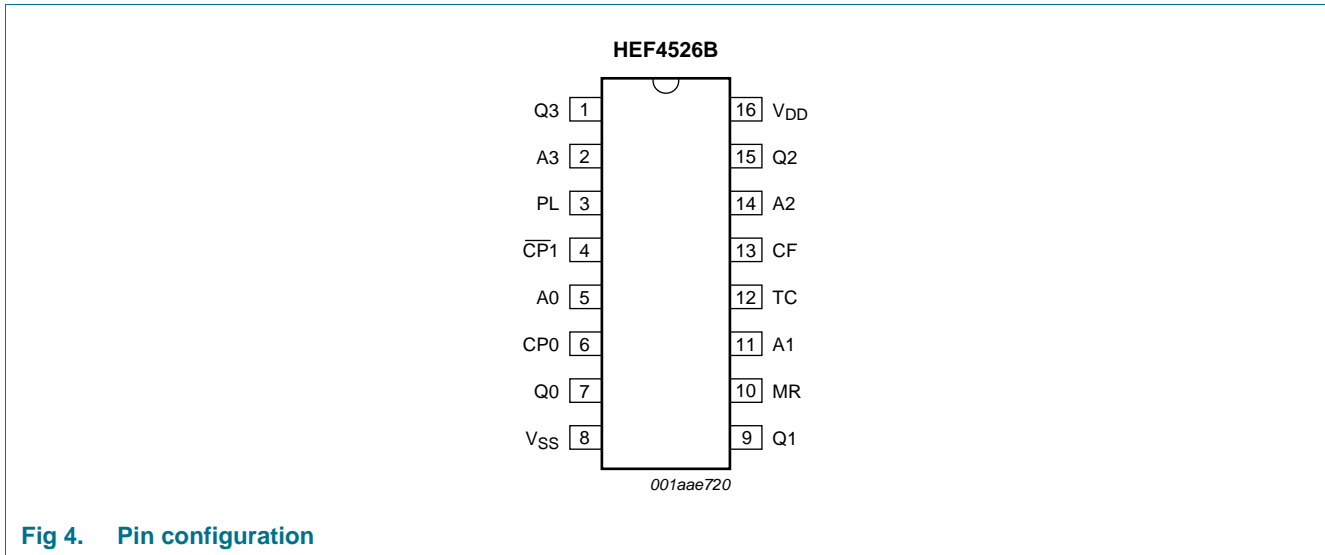


001aae722

Fig 3. Logic diagram

## 5. Pinning information

### 5.1 Pinning



### 5.2 Pin description

**Table 2. Pin description**

Symbol	Pin	Description
A0 to A3	5, 11, 14, 2	parallel input
PL	3	parallel load input
CP0	6	clock input (LOW-to-HIGH, triggered)
CP1	4	clock input (HIGH-to-LOW, triggered)
CF	13	cascade feedback input
MR	10	asynchronous master reset input
TC	12	terminal count output
Q0 to Q3	7, 9, 15, 1	buffered parallel output
V <sub>DD</sub>	16	supply voltage
V <sub>SS</sub>	8	ground (0 V)

## 6. Functional description

Table 3. Function table<sup>[1]</sup>

MR	PL	CP0	CP1	Mode
H	X	X	X	reset (asynchronous)
L	H	X	X	preset (asynchronous)
L	L	↑	H	no change
L	L	L	↓	no change
L	L	↓	X	no change
L	L	X	↑	no change
L	L	↑	L	counter advances
L	L	H	↓	counter advances

[1] H = HIGH voltage level; L = LOW voltage level; X = don't care; ↑ = positive-going transition; ↓ = negative-going transition.

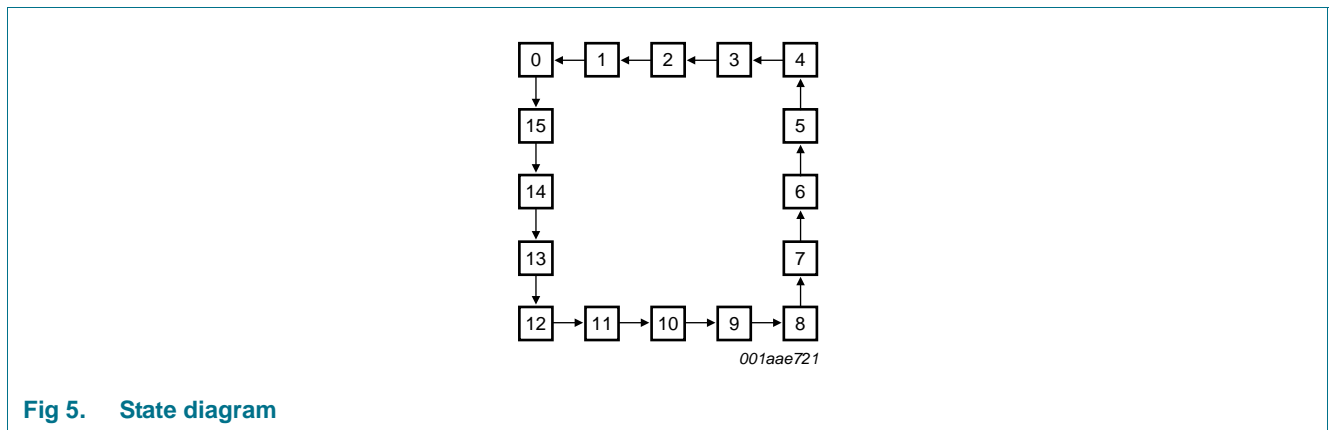
Table 4. Counting mode

CF = HIGH; PL = LOW; MR = LOW.

Count	Outputs			
	Q3	Q2	Q1	Q0
15	H	H	H	H
14	H	H	H	L
13	H	H	L	H
12	H	H	L	L
11	H	L	H	H
10	H	L	H	L
9	H	L	L	H
8	H	L	L	L
7	L	H	H	H
6	L	H	H	L
5	L	H	L	H
4	L	H	L	L
3	L	L	H	H
2	L	L	H	L
1	L	L	L	H
0	L	L	L	L

**Table 5. Single stage operation**  
*Divide-by-n; MR = LOW; CF = HIGH;  $\overline{CP1}$  = LOW.*

PL	A3	A2	A1	A0	Divide by	TC output pulse width
L	X	X	X	X	16	one clock period
TC	H	H	H	H	15	clock pulse HIGH
TC	H	H	H	L	14	
TC	H	H	L	H	13	
TC	H	H	L	L	12	
TC	H	L	H	H	11	
TC	H	L	H	L	10	
TC	H	L	L	H	9	
TC	H	L	L	L	8	
TC	L	H	H	H	7	
TC	L	H	H	L	6	
TC	L	H	L	H	5	
TC	L	H	L	L	4	
TC	L	L	H	H	3	
TC	L	L	H	L	2	
TC	L	L	L	H	1	
TC	L	L	L	L	no operation	



**Fig 5. State diagram**

## 7. Limiting values

**Table 6. Limiting values**

In accordance with the Absolute Maximum Rating System (IEC 60134).

Symbol	Parameter	Conditions	Min	Max	Unit
$V_{DD}$	supply voltage		-0.5	+18	V
$I_{IK}$	input clamping current	$V_I < -0.5\text{ V}$ or $V_I > V_{DD} + 0.5\text{ V}$	-	$\pm 10$	mA
$V_I$	input voltage		-0.5	$V_{DD} + 0.5$	V
$I_{OK}$	output clamping current	$V_O < -0.5\text{ V}$ or $V_O > V_{DD} + 0.5\text{ V}$	-	$\pm 10$	mA
$I_{I/O}$	input/output current		-	$\pm 10$	mA
$I_{DD}$	supply current	to any supply terminal	-	$\pm 100$	mA
$T_{stg}$	storage temperature		-65	+150	°C
$T_{amb}$	ambient temperature		-40	+85	°C
$P_{tot}$	total power dissipation	DIP16 package	[1] -	750	mW
		SO16 package	[2] -	500	mW
$P$	power dissipation	per output	-	100	mW

[1] For DIP16 package:  $P_{tot}$  derates linearly with 12 mW/K above 70 °C.

[2] For SO16 package:  $P_{tot}$  derates linearly with 8 mW/K above 70 °C.

## 8. Recommended operating conditions

**Table 7. Recommended operating conditions**

Symbol	Parameter	Conditions	Min	Typ	Max	Unit
$V_{DD}$	supply voltage		3	-	15	V
$V_I$	input voltage		0	-	$V_{DD}$	V
$T_{amb}$	ambient temperature	in free air	-40	-	+85	°C
$\Delta t/\Delta V$	input transition rise and fall rate	$V_{CC} = 5\text{ V}$	-	-	3.75	$\mu\text{s/V}$
		$V_{CC} = 10\text{ V}$	-	-	0.5	$\mu\text{s/V}$
		$V_{CC} = 15\text{ V}$	-	-	0.08	$\mu\text{s/V}$

## 9. Static characteristics

**Table 8. Static characteristics**

$V_{SS} = 0\text{ V}$ ;  $V_I = V_{SS}$  or  $V_{DD}$  unless otherwise specified.

Symbol	Parameter	Conditions	$V_{DD}$	$T_{amb} = -40\text{ }^{\circ}\text{C}$		$T_{amb} = 25\text{ }^{\circ}\text{C}$		$T_{amb} = 85\text{ }^{\circ}\text{C}$		Unit
				Min	Max	Min	Max	Min	Max	
$V_{IH}$	HIGH-level input voltage	$ I_O  < 1\text{ }\mu\text{A}$	5 V	3.5	-	3.5	-	3.5	-	V
			10 V	7.0	-	7.0	-	7.0	-	V
			15 V	11.0	-	11.0	-	11.0	-	V
$V_{IL}$	LOW-level input voltage	$ I_O  < 1\text{ }\mu\text{A}$	5 V	-	1.5	-	1.5	-	1.5	V
			10 V	-	3.0	-	3.0	-	3.0	V
			15 V	-	4.0	-	4.0	-	4.0	V
$V_{OH}$	HIGH-level output voltage	$ I_O  < 1\text{ }\mu\text{A}$	5 V	4.95	-	4.95	-	4.95	-	V
			10 V	9.95	-	9.95	-	9.95	-	V
			15 V	14.95	-	14.95	-	14.95	-	V
$V_{OL}$	LOW-level output voltage	$ I_O  < 1\text{ }\mu\text{A}$	5 V	-	0.05	-	0.05	-	0.05	V
			10 V	-	0.05	-	0.05	-	0.05	V
			15 V	-	0.05	-	0.05	-	0.05	V
$I_{OL}$	LOW-level output current	$V_O = 0.4\text{ V}$	5 V	0.52	-	0.44	-	0.36	-	mA
		$V_O = 0.5\text{ V}$	10 V	1.3	-	1.1	-	0.9	-	mA
		$V_O = 1.5\text{ V}$	15 V	3.6	-	3.0	-	2.4	-	mA
$I_{OH}$	HIGH-level output current	$V_O = 2.5\text{ V}$	5 V	-	-1.7	-	-1.4	-	-1.1	mA
		$V_O = 4.6\text{ V}$	5 V	-	-0.52	-	-0.44	-	-0.36	mA
		$V_O = 9.5\text{ V}$	10 V	-	-1.3	-	-1.1	-	-0.9	mA
		$V_O = 13.5\text{ V}$	15 V	-	-3.6	-	-3.0	-	-2.4	mA
$I_I$	input leakage current		15 V	-	$\pm 0.3$	-	$\pm 0.3$	-	$\pm 1.0$	$\mu\text{A}$
$I_{DD}$	supply current	$I_O = 0\text{ A}$	5 V	-	20	-	20	-	150	$\mu\text{A}$
			10 V	-	40	-	40	-	300	$\mu\text{A}$
			15 V	-	80	-	80	-	600	$\mu\text{A}$
$C_I$	input capacitance		-	-	-	7.5	-	-	pF	



## 10. Dynamic characteristics

**Table 9. Dynamic characteristics**

$V_{SS} = 0\text{ V}$ ;  $T_{amb} = 25\text{ °C}$ ; for test circuit see [Figure 7](#); unless otherwise specified.

Symbol	Parameter	Conditions	$V_{DD}$	Extrapolation formula	Min	Typ	Max	Unit		
$t_{PHL}$	HIGH to LOW propagation delay	CP0, $\overline{\text{CP1}}$ to Qn; see <a href="#">Figure 6</a>	5 V	<a href="#">[1]</a> $123\text{ ns} + (0.55\text{ ns/pF})C_L$	-	150	300	ns		
			10 V	$54\text{ ns} + (0.23\text{ ns/pF})C_L$	-	65	130	ns		
			15 V	$42\text{ ns} + (0.16\text{ ns/pF})C_L$	-	50	100	ns		
		CP0, $\overline{\text{CP1}}$ to TC; see <a href="#">Figure 6</a>	5 V	$183\text{ ns} + (0.55\text{ ns/pF})C_L$	-	210	420	ns		
			10 V	$79\text{ ns} + (0.23\text{ ns/pF})C_L$	-	90	180	ns		
			15 V	$62\text{ ns} + (0.16\text{ ns/pF})C_L$	-	70	140	ns		
		PL to Qn; see <a href="#">Figure 6</a>	5 V	$173\text{ ns} + (0.55\text{ ns/pF})C_L$	-	200	400	ns		
			10 V	$69\text{ ns} + (0.23\text{ ns/pF})C_L$	-	80	160	ns		
			15 V	$52\text{ ns} + (0.16\text{ ns/pF})C_L$	-	60	120	ns		
		MR to Qn	5 V	$113\text{ ns} + (0.55\text{ ns/pF})C_L$	-	140	280	ns		
			10 V	$44\text{ ns} + (0.23\text{ ns/pF})C_L$	-	55	110	ns		
			15 V	$32\text{ ns} + (0.16\text{ ns/pF})C_L$	-	40	80	ns		
$t_{PLH}$	LOW to HIGH propagation delay	CP0, $\overline{\text{CP1}}$ to Qn; see <a href="#">Figure 6</a>	5 V	<a href="#">[1]</a> $123\text{ ns} + (0.55\text{ ns/pF})C_L$	-	150	300	ns		
			10 V	$54\text{ ns} + (0.23\text{ ns/pF})C_L$	-	65	130	ns		
			15 V	$42\text{ ns} + (0.16\text{ ns/pF})C_L$	-	50	100	ns		
		CP0, $\overline{\text{CP1}}$ to TC; see <a href="#">Figure 6</a>	5 V	$183\text{ ns} + (0.55\text{ ns/pF})C_L$	-	210	420	ns		
			10 V	$79\text{ ns} + (0.23\text{ ns/pF})C_L$	-	90	180	ns		
			15 V	$62\text{ ns} + (0.16\text{ ns/pF})C_L$	-	70	140	ns		
		PL to Qn; see <a href="#">Figure 6</a>	5 V	$153\text{ ns} + (0.55\text{ ns/pF})C_L$	-	180	360	ns		
			10 V	$59\text{ ns} + (0.23\text{ ns/pF})C_L$	-	70	140	ns		
			15 V	$42\text{ ns} + (0.16\text{ ns/pF})C_L$	-	50	100	ns		
		$t_t$	transition time	see <a href="#">Figure 6</a>	5 V	<a href="#">[1]</a> $10\text{ ns} + (1.00\text{ ns/pF})C_L$	-	60	120	ns
					10 V	$9\text{ ns} + (0.42\text{ ns/pF})C_L$	-	30	60	ns
					15 V	$6\text{ ns} + (0.28\text{ ns/pF})C_L$	-	20	40	ns
$t_{su}$	set-up time	An to PL; see <a href="#">Figure 6</a>	5 V		30	0	-	ns		
			10 V		20	0	-	ns		
			15 V		15	0	-	ns		
$t_h$	hold time	An to PL; see <a href="#">Figure 6</a>	5 V		30	5	-	ns		
			10 V		20	5	-	ns		
			15 V		15	5	-	ns		

**Table 9. Dynamic characteristics ...continued**  
 $V_{SS} = 0\text{ V}$ ;  $T_{amb} = 25\text{ °C}$ ; for test circuit see [Figure 7](#); unless otherwise specified.

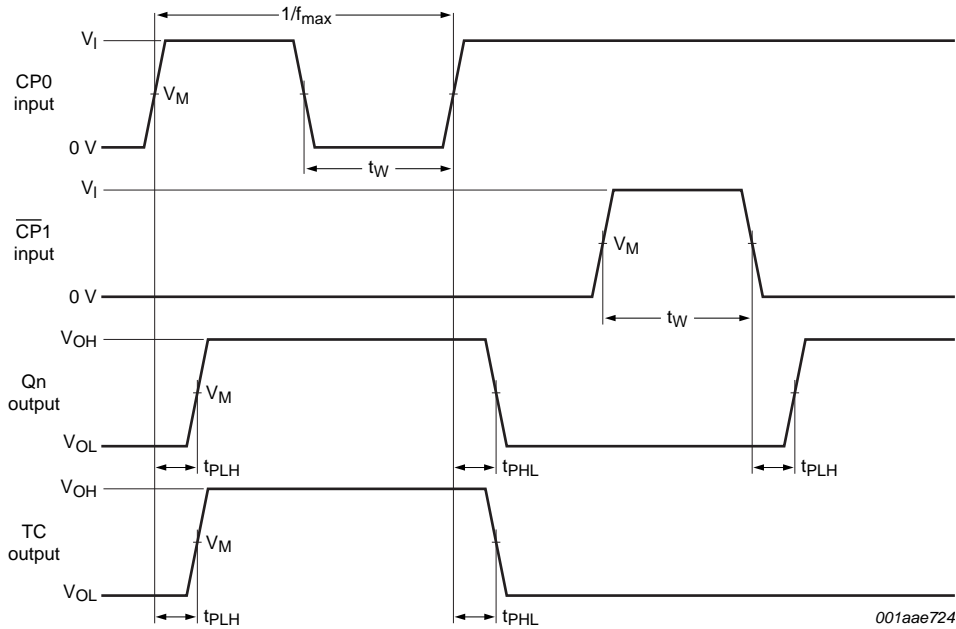
Symbol	Parameter	Conditions	$V_{DD}$	Extrapolation formula	Min	Typ	Max	Unit
$t_w$	pulse width	CP0 input; LOW; see <a href="#">Figure 6</a>	5 V		80	40	-	ns
			10 V		40	20	-	ns
			15 V		30	15	-	ns
		$\overline{\text{CP1}}$ input; HIGH; see <a href="#">Figure 6</a>	5 V		80	40	-	ns
			10 V		40	20	-	ns
			15 V		30	15	-	ns
		PL input; HIGH; see <a href="#">Figure 6</a>	5 V		100	50	-	ns
			10 V		40	20	-	ns
			15 V		32	16	-	ns
MR input; LOW	5 V		130	65	-	ns		
	10 V		50	25	-	ns		
	15 V		40	20	-	ns		
$f_{max}$	maximum frequency	PL = LOW; see <a href="#">Figure 6</a>	5 V	[2]	6	12	-	MHz
			10 V		12	25	-	MHz
			15 V		16	32	-	MHz

- [1] The typical values of the propagation delay and transition times are calculated from the extrapolation formulas shown ( $C_L$  in pF).
- [2] In the divide-by-n mode (PL connected to TC), the CP0 or  $\overline{\text{CP1}}$  pulse width must be greater than the maximum HIGH to LOW propagation delay for CP0 or CP1 to TC.

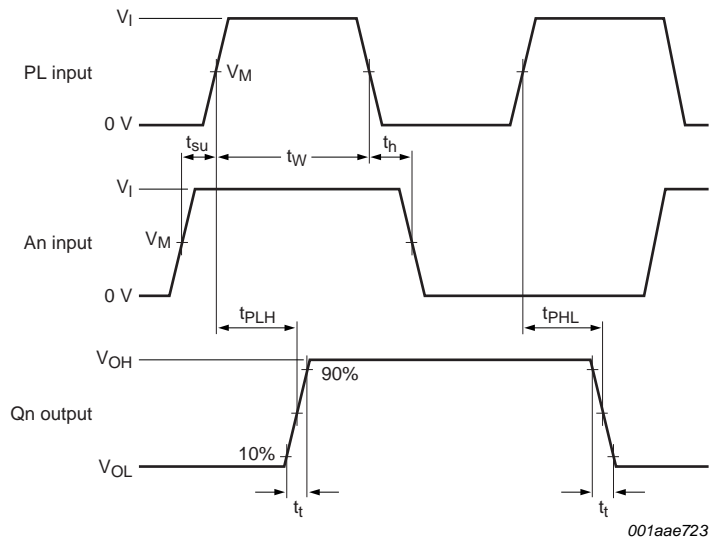
**Table 10. Dynamic power dissipation  $P_D$**   
 $P_D$  can be calculated from the formulas shown.  $V_{SS} = 0\text{ V}$ ;  $t_r = t_f \leq 20\text{ ns}$ ;  $T_{amb} = 25\text{ °C}$ .

Symbol	Parameter	$V_{DD}$	Typical formula for $P_D$ ( $\mu\text{W}$ )	where:
$P_D$	dynamic power dissipation	5 V	$P_D = 1000 \times f_i + \Sigma(f_o \times C_L) \times V_{DD}^2$	$f_i$ = input frequency in MHz,
		10 V	$P_D = 4000 \times f_i + \Sigma(f_o \times C_L) \times V_{DD}^2$	$f_o$ = output frequency in MHz,
		15 V	$P_D = 10000 \times f_i + \Sigma(f_o \times C_L) \times V_{DD}^2$	$C_L$ = output load capacitance in pF, $V_{DD}$ = supply voltage in V, $\Sigma(f_o \times C_L)$ = sum of the outputs.

11. Waveforms



a. Propagation delays for CP0, CP1 to Qn, and TC, minimum CP0 and CP1 pulse widths and maximum frequency

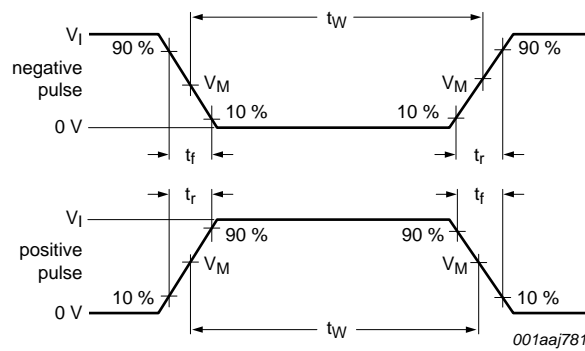


b. Propagation delays for PL and An to Qn, setup and hold times for PL to An, Qn transition times and minimum PL pulse width

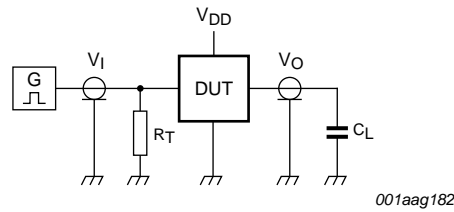
Measurement points are given in [Table 11](#).

The logic levels  $V_{OH}$  and  $V_{OL}$  are typical output voltage levels that occur with the output load.

Fig 6. Waveforms showing switching times



a. Input waveforms



b. Test circuit

Test data is given in [Table 11](#);

Definitions for test circuit:

DUT = Device Under Test;

$C_L$  = Load capacitance, including jig and probe capacitance;

$R_L$  = Load resistance;

$R_T$  = Termination resistance, should be equal to the output impedance  $Z_o$  of the pulse generator.

Fig 7. Test circuit for switching times

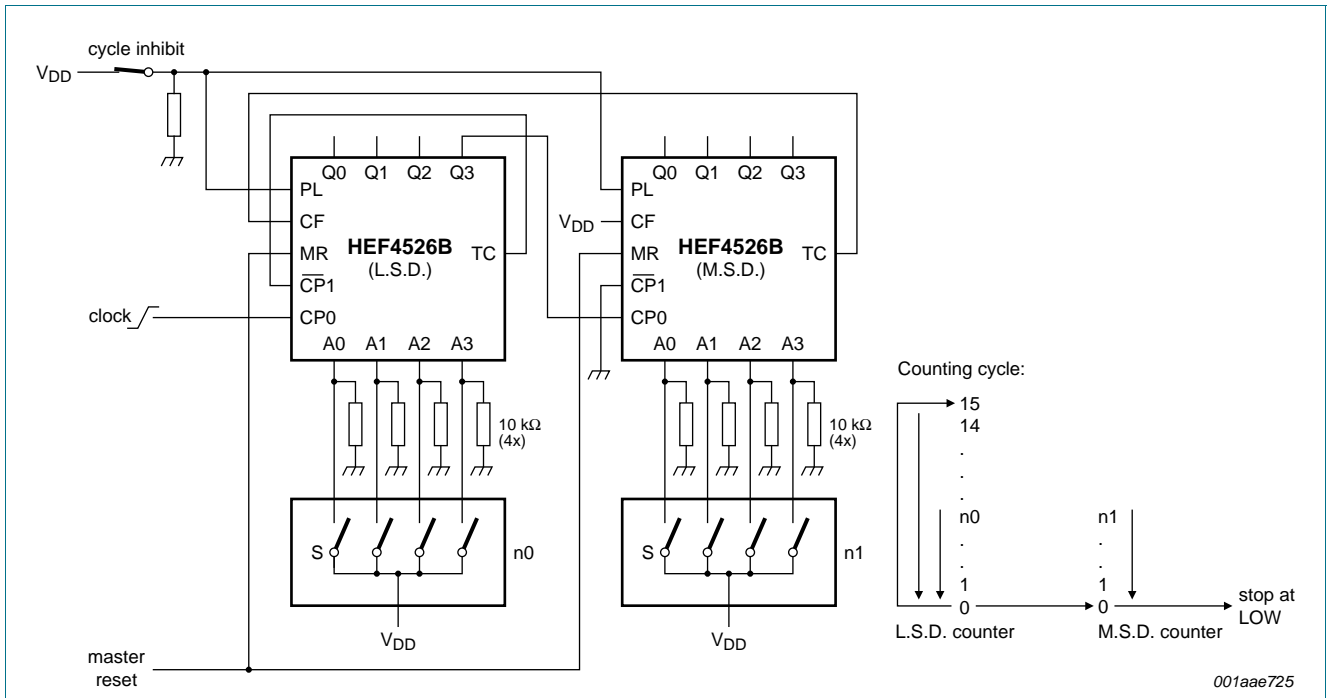
Table 11. Measurement points and test data

Supply voltage	Input			Load	
	$V_I$	$V_M$	$t_r, t_f$	$C_L$	$R_L$
5 V to 15 V	$V_{DD}$	$0.5V_I$	$\leq 20$ ns	50 pF	1 k $\Omega$

## 12. Application information

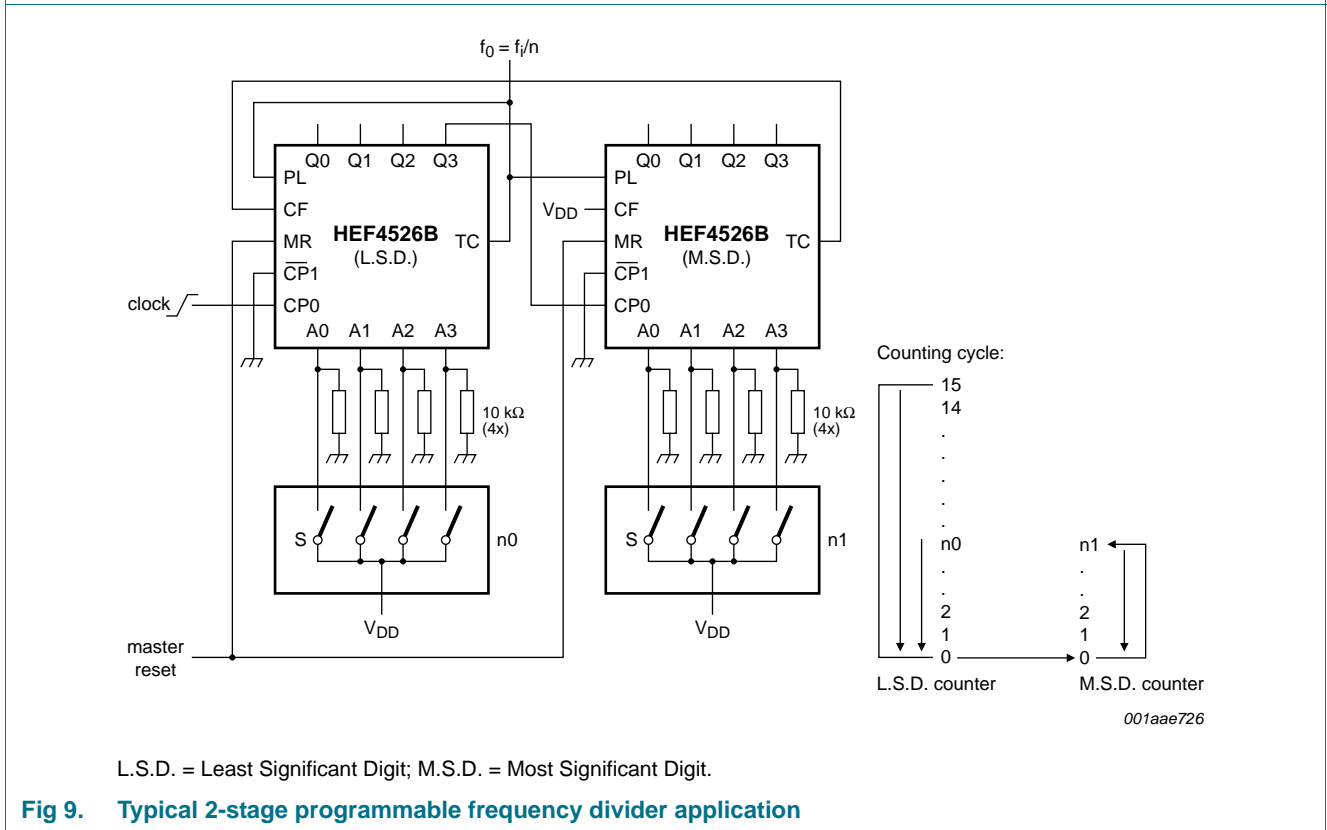
Some examples of HEF4526B applications are:

- Divide-by-n counter
- Programmable frequency divider



L.S.D. = Least Significant Digit; M.S.D. = Most Significant Digit.

Fig 8. Typical 2-stage programmable down counter (one cycle) application.



L.S.D. = Least Significant Digit; M.S.D. = Most Significant Digit.

Fig 9. Typical 2-stage programmable frequency divider application

13. Package outline

DIP16: plastic dual in-line package; 16 leads (300 mil)

SOT38-4

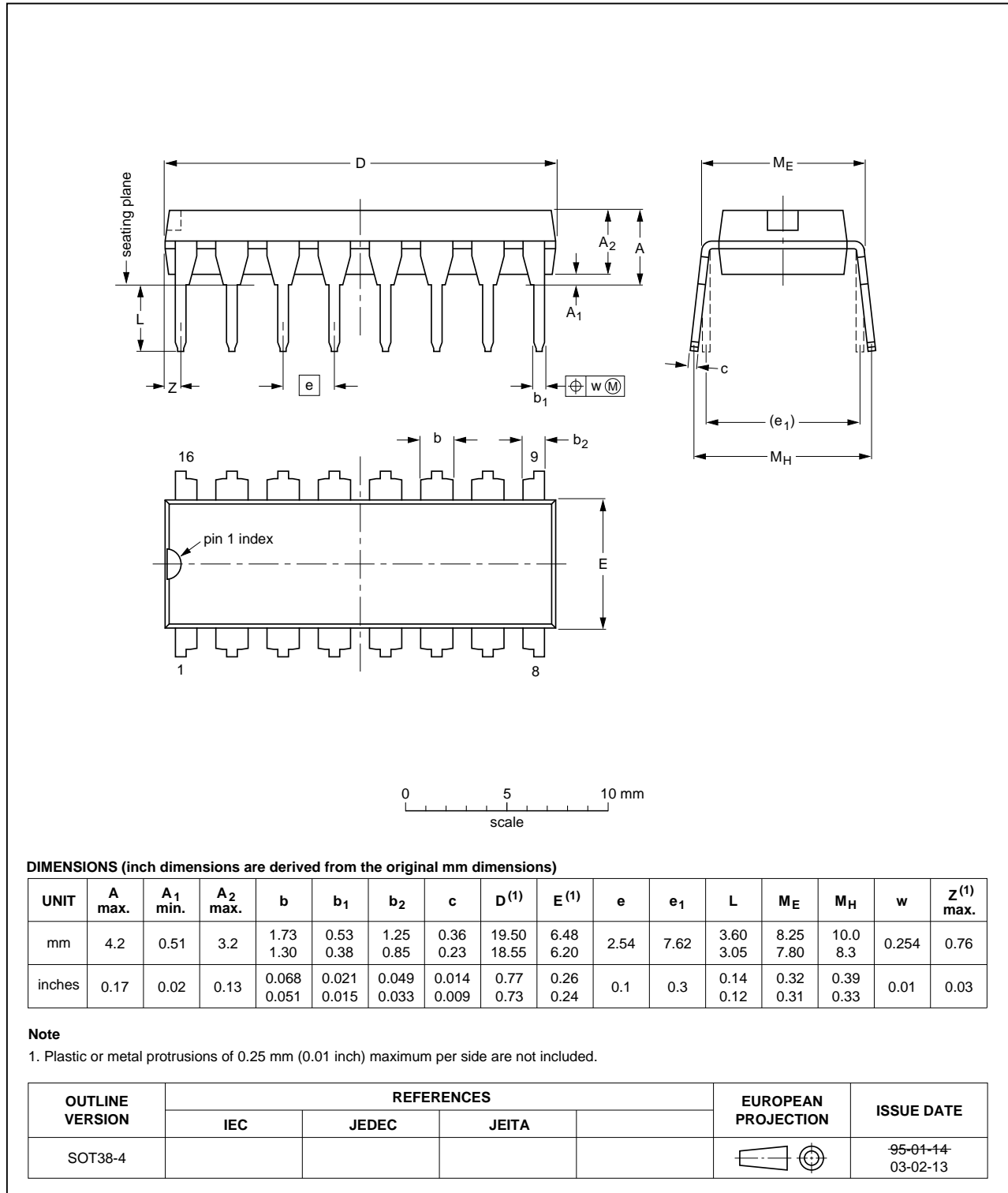


Fig 10. Package outline SOT38-4 (DIP16)

SO16: plastic small outline package; 16 leads; body width 3.9 mm

SOT109-1

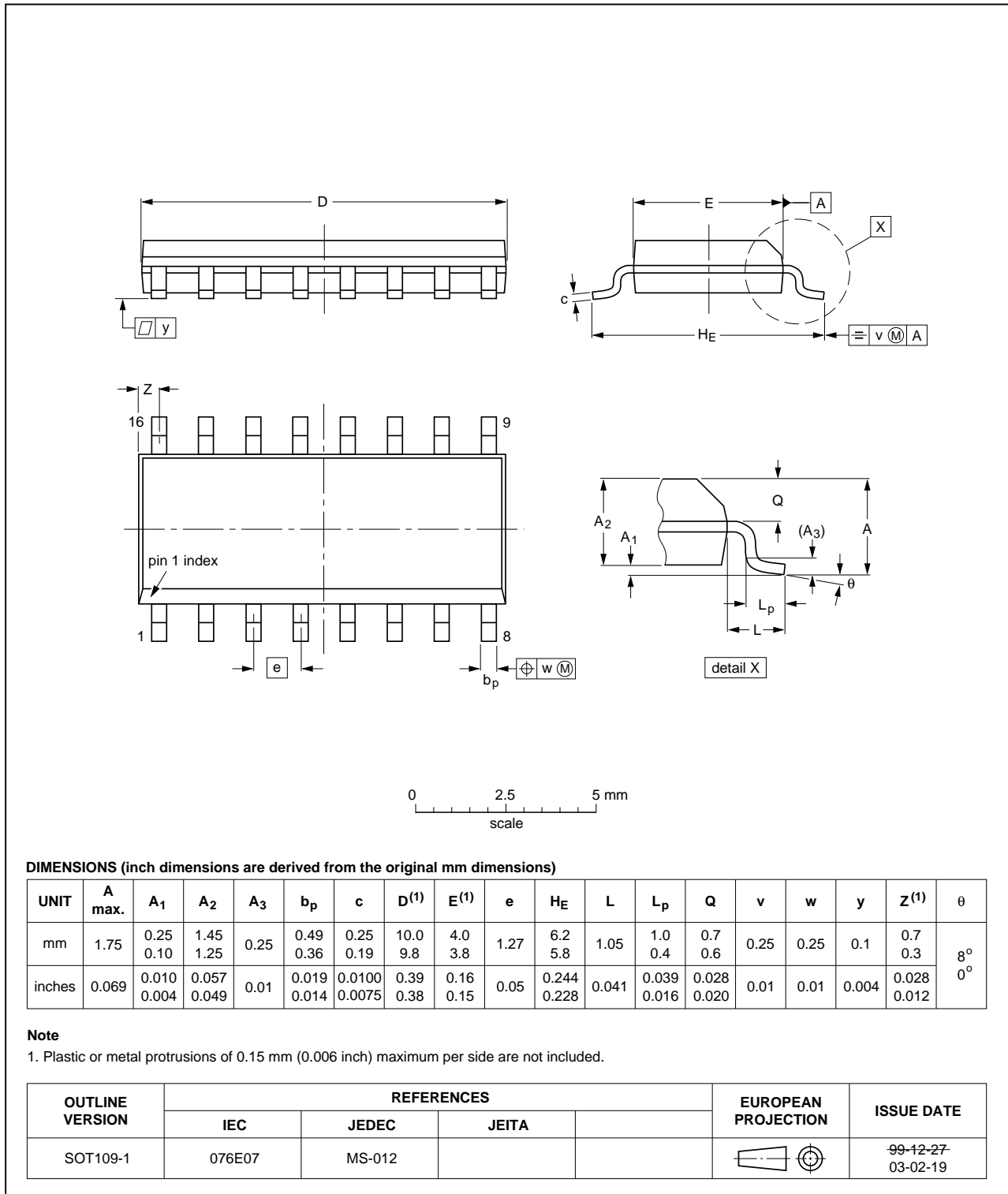


Fig 11. Package outline SOT109-1 (SO16)

## 14. Revision history

Table 12. Revision history

Document ID	Release date	Data sheet status	Change notice	Supersedes
HEF4526B v.5	20111122	Product data sheet	-	HEF4526B v.4
Modifications:	<ul style="list-style-type: none"><li>• Section Applications removed</li><li>• <a href="#">Table 8</a>: I<sub>OH</sub> minimum values changed to maximum</li></ul>			
HEF4526B v.4	20090921	Product data sheet	-	HEF4526B_CNV v.3
HEF4526B_CNV v.3	19950101	Product specification	-	HEF4526B_CNV v.2
HEF4526B_CNV v.2	19950101	Product specification	-	-



## 15. Legal information

### 15.1 Data sheet status

Document status <sup>[1][2]</sup>	Product status <sup>[3]</sup>	Definition
Objective [short] data sheet	Development	This document contains data from the objective specification for product development.
Preliminary [short] data sheet	Qualification	This document contains data from the preliminary specification.
Product [short] data sheet	Production	This document contains the product specification.

[1] Please consult the most recently issued document before initiating or completing a design.

[2] The term 'short data sheet' is explained in section "Definitions".

[3] The product status of device(s) described in this document may have changed since this document was published and may differ in case of multiple devices. The latest product status information is available on the Internet at URL <http://www.nxp.com>.

### 15.2 Definitions

**Draft** — The document is a draft version only. The content is still under internal review and subject to formal approval, which may result in modifications or additions. NXP Semiconductors does not give any representations or warranties as to the accuracy or completeness of information included herein and shall have no liability for the consequences of use of such information.

**Short data sheet** — A short data sheet is an extract from a full data sheet with the same product type number(s) and title. A short data sheet is intended for quick reference only and should not be relied upon to contain detailed and full information. For detailed and full information see the relevant full data sheet, which is available on request via the local NXP Semiconductors sales office. In case of any inconsistency or conflict with the short data sheet, the full data sheet shall prevail.

**Product specification** — The information and data provided in a Product data sheet shall define the specification of the product as agreed between NXP Semiconductors and its customer, unless NXP Semiconductors and customer have explicitly agreed otherwise in writing. In no event however, shall an agreement be valid in which the NXP Semiconductors product is deemed to offer functions and qualities beyond those described in the Product data sheet.

### 15.3 Disclaimers

**Limited warranty and liability** — Information in this document is believed to be accurate and reliable. However, NXP Semiconductors does not give any representations or warranties, expressed or implied, as to the accuracy or completeness of such information and shall have no liability for the consequences of use of such information.

In no event shall NXP Semiconductors be liable for any indirect, incidental, punitive, special or consequential damages (including - without limitation - lost profits, lost savings, business interruption, costs related to the removal or replacement of any products or rework charges) whether or not such damages are based on tort (including negligence), warranty, breach of contract or any other legal theory.

Notwithstanding any damages that customer might incur for any reason whatsoever, NXP Semiconductors' aggregate and cumulative liability towards customer for the products described herein shall be limited in accordance with the *Terms and conditions of commercial sale* of NXP Semiconductors.

**Right to make changes** — NXP Semiconductors reserves the right to make changes to information published in this document, including without limitation specifications and product descriptions, at any time and without notice. This document supersedes and replaces all information supplied prior to the publication hereof.

**Suitability for use** — NXP Semiconductors products are not designed, authorized or warranted to be suitable for use in life support, life-critical or safety-critical systems or equipment, nor in applications where failure or

malfunction of an NXP Semiconductors product can reasonably be expected to result in personal injury, death or severe property or environmental damage. NXP Semiconductors accepts no liability for inclusion and/or use of NXP Semiconductors products in such equipment or applications and therefore such inclusion and/or use is at the customer's own risk.

**Applications** — Applications that are described herein for any of these products are for illustrative purposes only. NXP Semiconductors makes no representation or warranty that such applications will be suitable for the specified use without further testing or modification.

Customers are responsible for the design and operation of their applications and products using NXP Semiconductors products, and NXP Semiconductors accepts no liability for any assistance with applications or customer product design. It is customer's sole responsibility to determine whether the NXP Semiconductors product is suitable and fit for the customer's applications and products planned, as well as for the planned application and use of customer's third party customer(s). Customers should provide appropriate design and operating safeguards to minimize the risks associated with their applications and products.

NXP Semiconductors does not accept any liability related to any default, damage, costs or problem which is based on any weakness or default in the customer's applications or products, or the application or use by customer's third party customer(s). Customer is responsible for doing all necessary testing for the customer's applications and products using NXP Semiconductors products in order to avoid a default of the applications and the products or of the application or use by customer's third party customer(s). NXP does not accept any liability in this respect.

**Limiting values** — Stress above one or more limiting values (as defined in the Absolute Maximum Ratings System of IEC 60134) will cause permanent damage to the device. Limiting values are stress ratings only and (proper) operation of the device at these or any other conditions above those given in the Recommended operating conditions section (if present) or the Characteristics sections of this document is not warranted. Constant or repeated exposure to limiting values will permanently and irreversibly affect the quality and reliability of the device.

**Terms and conditions of commercial sale** — NXP Semiconductors products are sold subject to the general terms and conditions of commercial sale, as published at <http://www.nxp.com/profile/terms>, unless otherwise agreed in a valid written individual agreement. In case an individual agreement is concluded only the terms and conditions of the respective agreement shall apply. NXP Semiconductors hereby expressly objects to applying the customer's general terms and conditions with regard to the purchase of NXP Semiconductors products by customer.

**No offer to sell or license** — Nothing in this document may be interpreted or construed as an offer to sell products that is open for acceptance or the grant, conveyance or implication of any license under any copyrights, patents or other industrial or intellectual property rights.

**Export control** — This document as well as the item(s) described herein may be subject to export control regulations. Export might require a prior authorization from competent authorities.

**Non-automotive qualified products** — Unless this data sheet expressly states that this specific NXP Semiconductors product is automotive qualified, the product is not suitable for automotive use. It is neither qualified nor tested in accordance with automotive testing or application requirements. NXP Semiconductors accepts no liability for inclusion and/or use of non-automotive qualified products in automotive equipment or applications.

In the event that customer uses the product for design-in and use in automotive applications to automotive specifications and standards, customer (a) shall use the product without NXP Semiconductors' warranty of the product for such automotive applications, use and specifications, and (b) whenever customer uses the product for automotive applications beyond

NXP Semiconductors' specifications such use shall be solely at customer's own risk, and (c) customer fully indemnifies NXP Semiconductors for any liability, damages or failed product claims resulting from customer design and use of the product for automotive applications beyond NXP Semiconductors' standard warranty and NXP Semiconductors' product specifications.

## 15.4 Trademarks

Notice: All referenced brands, product names, service names and trademarks are the property of their respective owners.

## 16. Contact information

For more information, please visit: <http://www.nxp.com>

For sales office addresses, please send an email to: [salesaddresses@nxp.com](mailto:salesaddresses@nxp.com)

## 17. Contents

---

<b>1</b>	<b>General description</b> .....	<b>1</b>
<b>2</b>	<b>Features and benefits</b> .....	<b>1</b>
<b>3</b>	<b>Ordering information</b> .....	<b>1</b>
<b>4</b>	<b>Functional diagram</b> .....	<b>2</b>
<b>5</b>	<b>Pinning information</b> .....	<b>4</b>
5.1	Pinning .....	4
5.2	Pin description .....	4
<b>6</b>	<b>Functional description</b> .....	<b>5</b>
<b>7</b>	<b>Limiting values</b> .....	<b>7</b>
<b>8</b>	<b>Recommended operating conditions</b> .....	<b>7</b>
<b>9</b>	<b>Static characteristics</b> .....	<b>8</b>
<b>10</b>	<b>Dynamic characteristics</b> .....	<b>9</b>
<b>11</b>	<b>Waveforms</b> .....	<b>11</b>
<b>12</b>	<b>Application information</b> .....	<b>12</b>
<b>13</b>	<b>Package outline</b> .....	<b>14</b>
<b>14</b>	<b>Revision history</b> .....	<b>16</b>
<b>15</b>	<b>Legal information</b> .....	<b>17</b>
15.1	Data sheet status .....	17
15.2	Definitions .....	17
15.3	Disclaimers .....	17
15.4	Trademarks .....	18
<b>16</b>	<b>Contact information</b> .....	<b>18</b>
<b>17</b>	<b>Contents</b> .....	<b>19</b>

---

Please be aware that important notices concerning this document and the product(s) described herein, have been included in section 'Legal information'.

---

© NXP B.V. 2011.

All rights reserved.

For more information, please visit: <http://www.nxp.com>

For sales office addresses, please send an email to: [salesaddresses@nxp.com](mailto:salesaddresses@nxp.com)

Date of release: 22 November 2011

Document identifier: HEF4526B

# Mouser Electronics

Authorized Distributor

Click to View Pricing, Inventory, Delivery & Lifecycle Information:

[NXP:](#)

[HEF4526BT,652](#) [HEF4526BT,653](#) [HEF4526BP,652](#)