

HRG3F

GENERAL PURPOSE RELAYS



19.0×15.2×15.5(mm)

特性

15A 触点切换能力, 超小型、标准印制板引出脚
具有一组常开、一组转换触点形式
塑封型与防焊剂型可供选择

Features

15A switching capability, Subminiature, standard PCB layout
1 Form A and 1 Form C configurations
Wash tight and flux proofed types available

触点参数 Contact Ratings	
接触形式 Contact Form	1A 1C
触点材料 Contact Material	AgSnO ₂ , AgCdO
接触电阻 Contact Resistance	100mΩ(1A 6VDC)
触点负载(阻性) Contact Load (resistive load)	10A 277VAC/28VDC
最大切换电压 Max.Switching Voltage	227VAC/30VDC
最大额定切换电流(阻性) Max.Rated Switching Current (Resistive Load)	10A
最大切换功率 Max.Switching Power	2770VA/210W
机械耐久性 min Mechanical Endurance min	1×10 ⁷ ops
电耐久性 min Electrical Endurance min	1×10 ⁵ ops (7A 250VAC) 5×10 ⁴ ops (10A 250VAC)

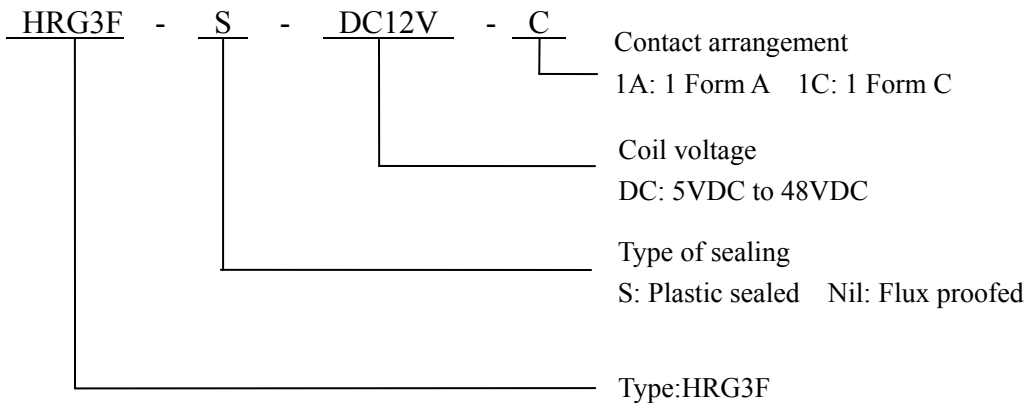
线圈参数 Coil Rating					23℃
额定线圈功率 Rated Coil Power		5~24VDC: 360mW			48VDC: 510mW
额定电压 Rated Voltage	动作电压 Operate Voltage	释放电压 Release Voltage	最大电压 Max. Voltage	线圈电阻 Coil Resistance	
5VDC	3.8VDC	0.5VDC	6.5VDC	70× (1±10%) Ω	
6VDC	4.5VDC	0.6VDC	7.8VDC	100× (1±10%) Ω	
9VDC	6.8VDC	0.9VDC	11.7VDC	225× (1±10%) Ω	
12VDC	9.0VDC	1.2VDC	15.6VDC	400× (1±10%) Ω	
18VDC	13.5VDC	1.8VDC	23.4VDC	900× (1±10%) Ω	
24VDC	18.0VDC	2.4VDC	31.2VDC	1600× (1±10%) Ω	
48VDC	36.0VDC	4.8VDC	62.4VDC	4500× (1±10%) Ω	

性能参数 Specifications		
绝缘电阻 Insulation Resistance		100MΩ(500VDC)
介质耐压 Dielectric Strength	触点与线圈间 Between coils and contacts	1500VAC 1min
	断开触点间 Between open contacts	750VAC 1min
动作时间 (额定电压下) Operate Time (Below Rated Voltage)		≤10ms
释放时间 (额定电压下) Release Time (Below Rated Voltage)		≤5ms
冲击 Shock	稳定性 Stability	98m/s ²
	强度 Strength	980m/s ²
振动 Vibration		10Hz~55Hz 1.5mm double-amplitude
湿度 Humidity		35%~85%RH
环境温度 Ambient Temperature		-40℃ to 85℃
重量 Weight		About 10g

引出端方式 Terminal Type	PCB
---------------------	-----

备注：以上值均为初始值。 Note: the above values are the initial value.

订货标记示例 Ordering Code



OUTLINE DIMENSIONS, WIRING DIAGRAM AND PC BOARD LAYOUT

Unit: mm

HRG3F

