



MF1005 SERIES – Multilayer Ceramic Chip Inductors

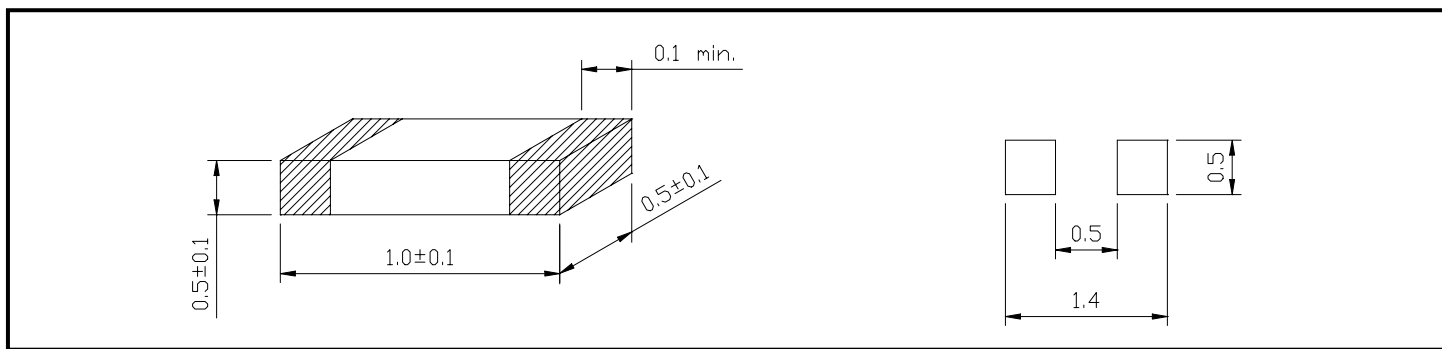


PART NUMBERING SYSTEM

MF	1 0 0 5	—	1 N 0 S	—	LF
TYPE	DIMENSIONS		INDUCTANCE		LEAD FREE

SHAPES AND DIMENSIONS

UNIT : mm



FEATURES

1. Provides high Q characteristics .
2. Supports operating frequency bands of up to 10GHZ .
3. Excellent solderability and high heat resistance for either flow or reflow soldering .

APPLICATION

1. Mobile phones .
2. Portable phones .
3. Cordless phones .
4. Pagers and personal handy-phone systems (PHS) .



MF1005 SERIES – Multilayer Ceramic Chip Inductors



RoHS Compliant

SPECIFICATION TABLE

PART NUMBER	INDUCTANCE (nH) 100MHz	INDUCTANCE TOLERANCE	Q TYPICAL		SRF (MHz) MIN.	DCR (Ω) (max)	IDC (mA) (max)
			100 MHz	800 MHz			
MF1005-1N0S-LF	1.0	S	8	28	4000	0.12	300
MF1005-1N2S-LF	1.2	S	8	28	4000	0.12	300
MF1005-1N5S-LF	1.5	S	8	30	4000	0.13	300
MF1005-1N8S-LF	1.8	S	8	28	4000	0.14	300
MF1005-2N2S-LF	2.2	S	8	30	4000	0.16	300
MF1005-2N7S-LF	2.7	S	8	30	4000	0.17	300
MF1005-3N3□-LF	3.3	S, K	8	30	4000	0.19	300
MF1005-3N9□-LF	3.9	S, K	8	31	4000	0.22	300
MF1005-4N7□-LF	4.7	S, K	8	30	4000	0.24	300
MF1005-5N6□-LF	5.6	S, K	8	31	4000	0.27	300
MF1005-6N8□-LF	6.8	J, K	8	31	3900	0.32	250
MF1005-8N2□-LF	8.2	J, K	8	34	3600	0.37	250
MF1005-10N□-LF	10.0	J, K	8	32	3200	0.42	250
MF1005-12N□-LF	12.0	J, K	8	31	2700	0.50	250
MF1005-15N□-LF	15.0	J, K	8	30	2300	0.55	250
MF1005-18N□-LF	18.0	J, K	8	29	2100	0.65	200
MF1005-22N□-LF	22.0	J, K	8	28	1900	0.80	200
MF1005-27N□-LF	27.0	J, K	8	27	1600	0.90	200
MF1005-33N□-LF	33.0	J, K	8	25	1300	1.00	200
MF1005-39N□-LF	39.0	J, K	8	25	1200	1.20	150
MF1005-47N□-LF	47.0	J, K	8	23	1000	1.30	150
MF1005-56N□-LF	56.0	J, K	8	21	750	1.40	150
MF1005-68N□-LF	68.0	J, K	8	19	750	1.40	150
MF1005-82N□-LF	82.0	J, K	8	16	600	1.60	100
MF1005-R10□-LF	100.0	J, K	8	10	600	1.60	100
MF1005-R12□-LF	120.0	J, K	8	8	600	1.60	100

□ : INDUCTANCE TOLERANCE (J : ±5%, K : ±10%, S : ±0.3nH)



Coilmaster Electronics Co., Ltd.

9F-3 No.398, Huan Bei Rd. Chung Li City, Taoyuan 320, Taiwan

Tel : +886-3-422-8279

Fax : +886-3-422-8734

E-mail : info@coilmaster.com.tw

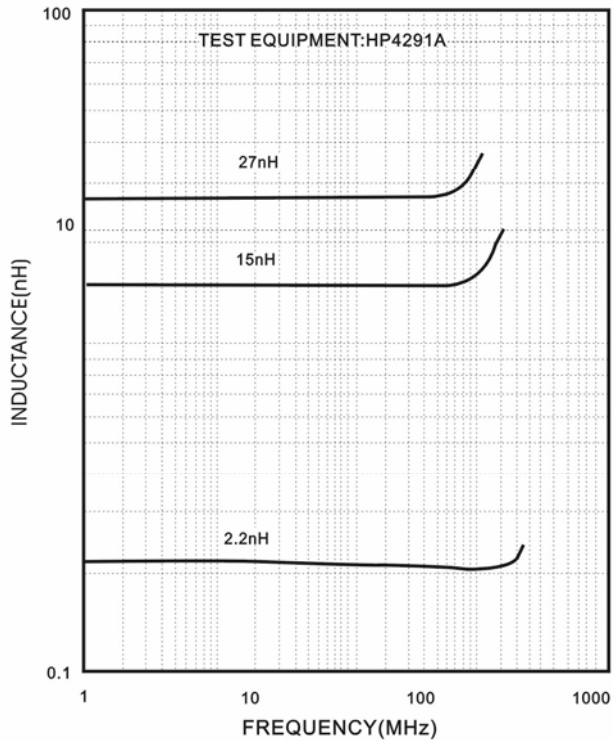
Web Site : www.coilmaster.com.tw

MF1005 SERIES – Multilayer Ceramic Chip Inductors

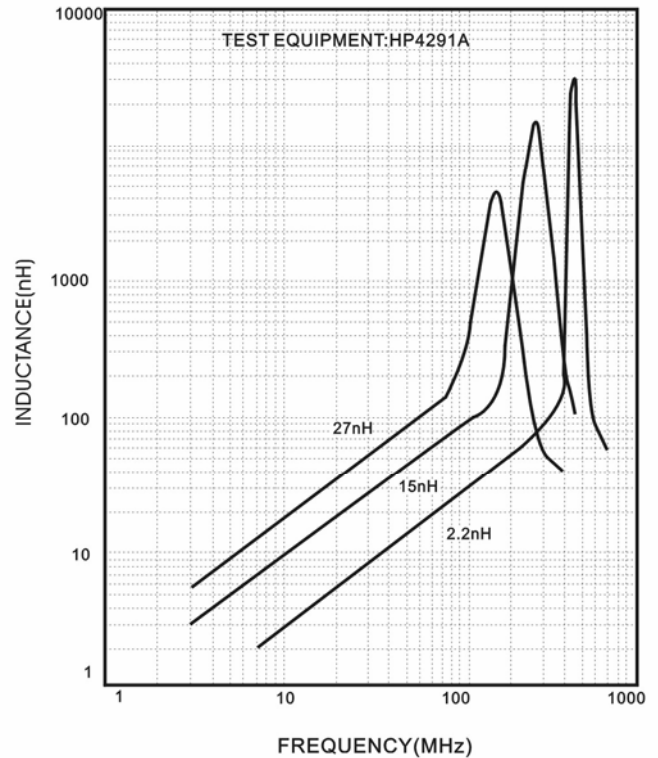


RoHS Compliant

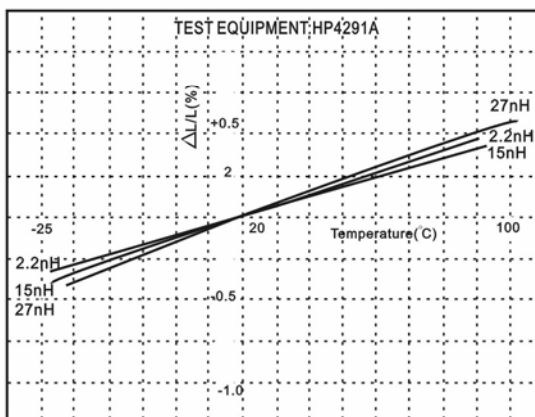
INDUCANCE vs. FREQUENCY
CHARACTERSTICS



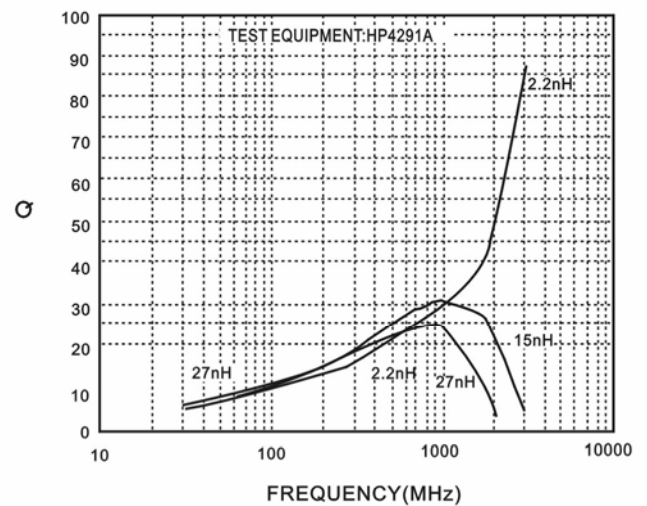
INDUCANCE vs. FREQUENCY
CHARACTERSTICS



INDUCANCE vs. FREQUENCY
CHARACTERSTICS



Q vs. FREQUENCY CHARACTERISTICS

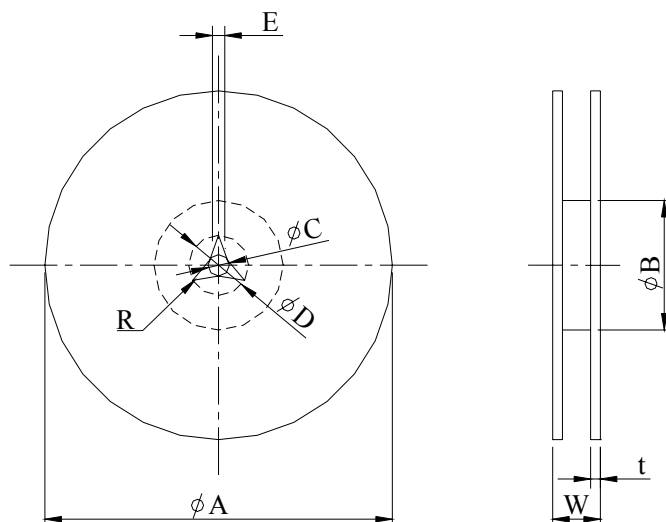




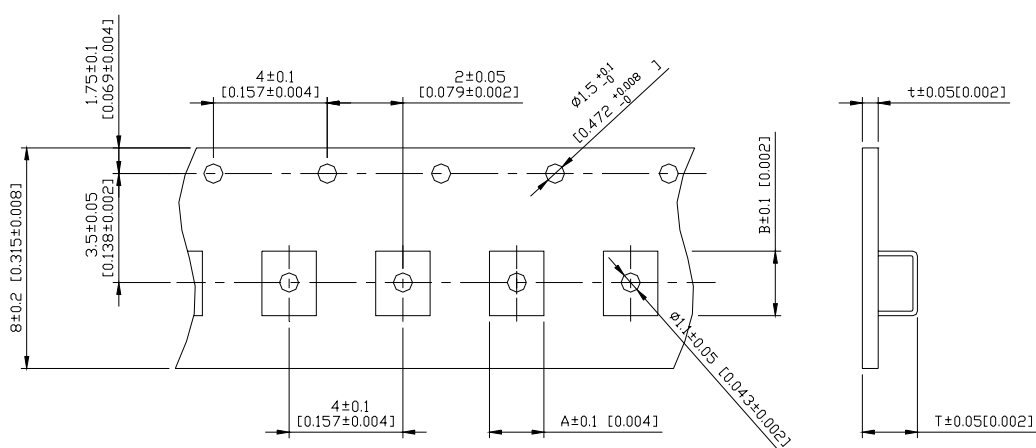
MF1005 SERIES – Multilayer Ceramic Chip Inductors



PACKAGING SPECIFICATION



	A	B	C	D	E	W8	W12	t	R
T(ϕ 178mm) Reel	ϕ 178 \pm 2	ϕ 60 \pm 1	ϕ 13 \pm 0.8	ϕ 21 \pm 0.8	2	10 \pm 1.5	14.5 \pm 1.5	1.27 \pm 0.2	1
T(ϕ 330mm) Reel	ϕ 330 \pm 2	ϕ 100 \pm 2	ϕ 13 \pm 0.8	ϕ 21 \pm 0.8	2	10 \pm 1.5	14.5 \pm 1.5	1.27 \pm 0.2	1



TYPE	A	B	T	t	T(ϕ 178mm)	T(ϕ 330mm)
MF1005	0.65	1.15	0.80	0.2	10000 pcs/reel	—