



MF2012 SERIES – Multilayer Ceramic Chip Inductors

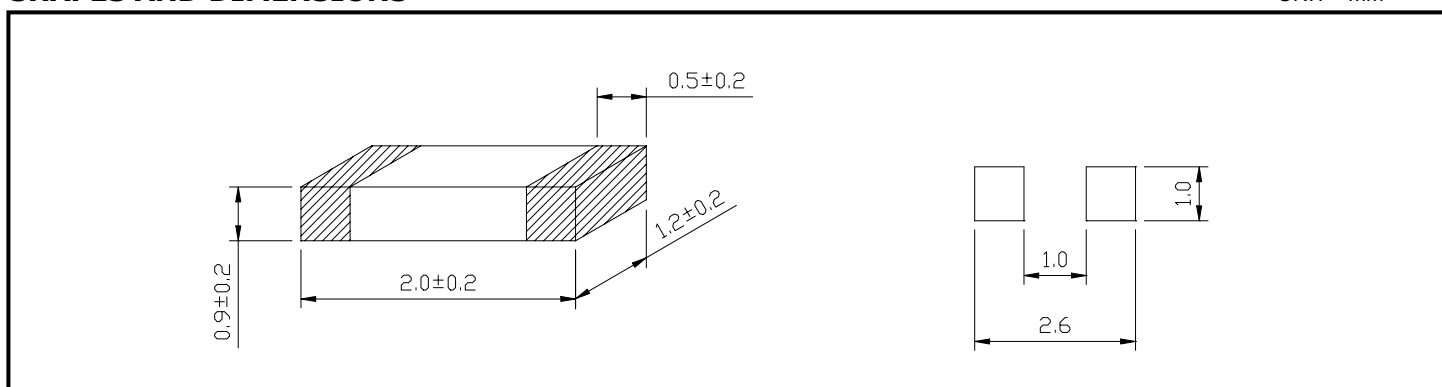


PART NUMBERING SYSTEM

MF	2012	—	1N5S	—	LF
TYPE	DIMENSIONS		INDUCTANCE		LEAD FREE

SHAPES AND DIMENSIONS

UNIT : mm



FEATURES

1. Provides high Q characteristics .
2. Supports operating frequency bands of up to 4GHZ .
3. Excellent solder ability and high heat resistance for either flow or reflow soldering .
4. Size : 0805 type , Compact low profile Multilayer Ceramic Chip Inductors – only 1.10 mm thickness Max.
5. RoHS-compliant.

APPLICATION

1. Mobile phones .
2. Portable phones .
3. Cordless phones .
4. Pagers and personal handy-phone systems (PHS) .



MF2012 SERIES – Multilayer Ceramic Chip Inductors



RoHS Compliant

SPECIFICATION TABLE

PART NUMBER	INDUCTANCE (nH) 100MHz	Q TYPICAL		SRF (MHz) MIN.	DCR (Ω) (max)	IDC (mA) (max)
		100 MHz	800 MHz			
MF2012-1N5S-LF	1.5	21	61	4000	0.10	300
MF2012-1N8S-LF	1.8	18	55	4000	0.10	300
MF2012-2N2S-LF	2.2	18	53	4000	0.10	300
MF2012-2N7S-LF	2.7	19	56	4000	0.10	300
MF2012-3N3S-LF	3.3	16	47	4000	0.13	300
MF2012-3N9S-LF	3.9	18	54	4000	0.15	300
MF2012-4N7S-LF	4.7	18	55	3500	0.20	300
MF2012-5N6S-LF	5.6	20	60	3200	0.23	300
MF2012-6N8J-LF	6.8	20	63	2800	0.25	300
MF2012-8N2J-LF	8.2	21	63	2400	0.28	300
MF2012-10NJ-LF	10.0	20	60	2100	0.30	300
MF2012-12NJ-LF	12.0	21	60	1900	0.35	300
MF2012-15NJ-LF	15.0	22	63	1600	0.40	300
MF2012-18NJ-LF	18.0	24	63	1500	0.45	300
MF2012-22NJ-LF	22.0	23	60	1400	0.50	300
MF2012-27NJ-LF	27.0	23	58	1300	0.55	300
MF2012-33NJ-LF	33.0	24	55	1200	0.60	300
MF2012-39NJ-LF	39.0	23	47	1000	0.65	300
MF2012-47NJ-LF	47.0	23	43	900	0.70	300
MF2012-56NJ-LF	56.0	23	39	800	0.75	300
MF2012-68NJ-LF	68.0	25	30	700	0.80	300
MF2012-82NJ-LF	82.0	24	—	600	0.90	300
MF2012-R10J-LF	100.0	23	—	600	0.	300
MF2012-R12J-LF	120.0@50MHZ	13@50MHZ	—	500	0.95	300
MF2012-R15J-LF	150.0@50MHZ	13@50MHZ	—	500	1.00	300
MF2012-R18J-LF	180.0@50MHZ	13@50MHZ	—	400	1.10	300
MF2012-R22J-LF	220.0@50MHZ	12@50MHZ	—	350	1.20	300
MF2012-R27J-LF	270.0@50MHZ	12@50MHZ	—	250	1.30	300
MF2012-R33J-LF	330.0@50MHZ	12@50MHZ	—	250	1.05	300
MF2012-R39J-LF	390.0@50MHZ	10@50MHZ	—	250	1.50	300
MF2012-R47J-LF	470.0@50MHZ	10@50MHZ	—	200	1.50	300

INDUCTANCE TOLERANCE (J : $\pm 5\%$, S : $\pm 0.3\text{nH}$)

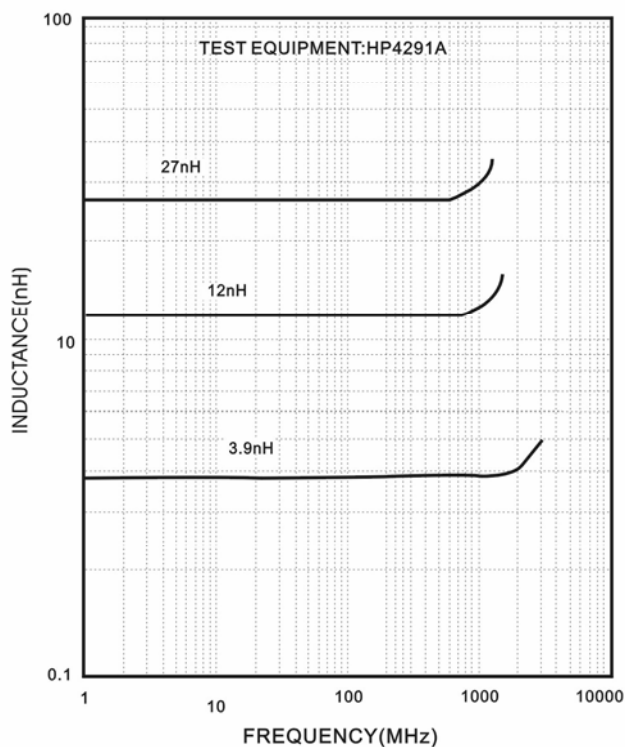


MF2012 SERIES – Multilayer Ceramic Chip Inductors

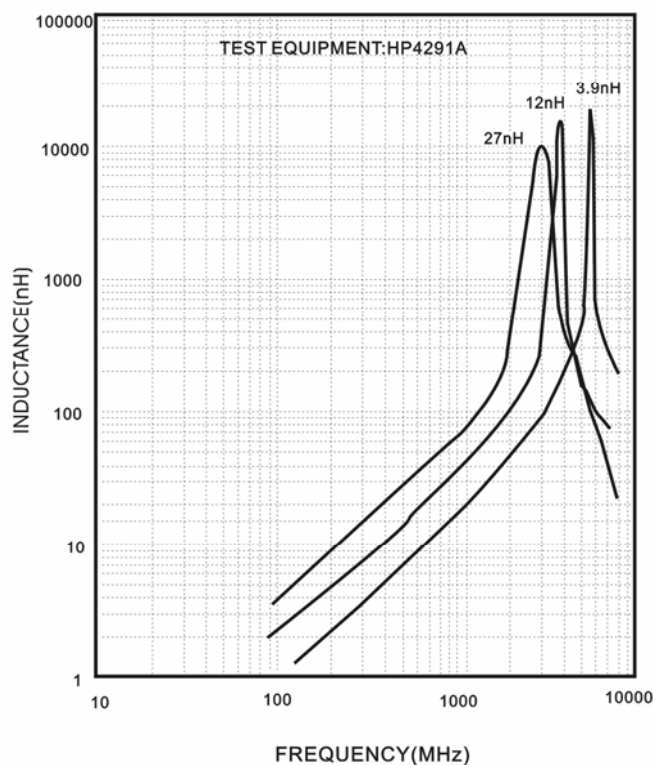


RoHS Compliant

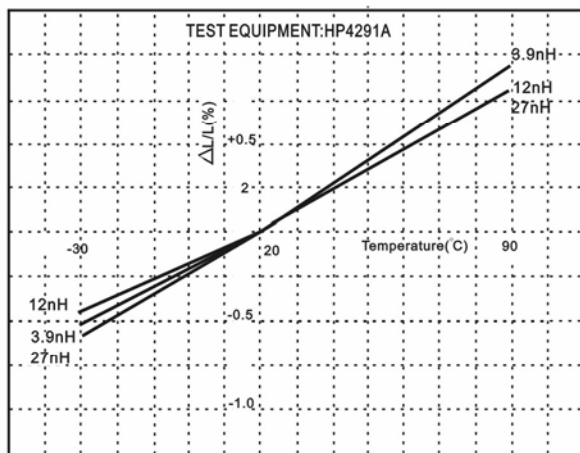
INDUCANCE vs. FREQUENCY
CHARACTERSTICS



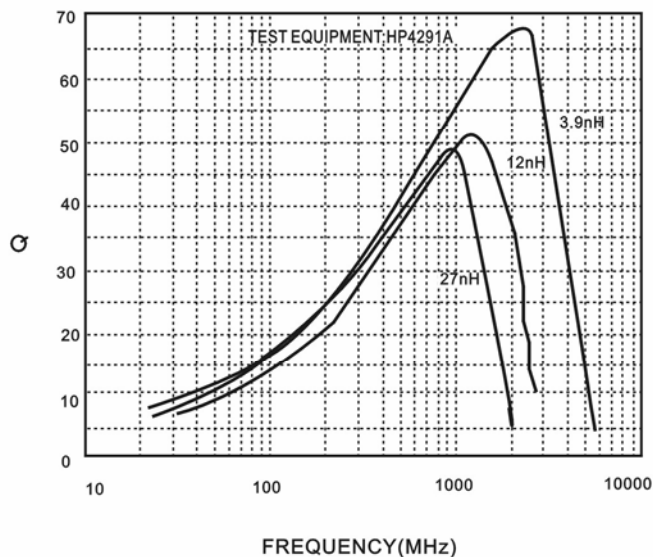
INDUCANCE vs. FREQUENCY
CHARACTERSTICS



INDUCANCE vs. FREQUENCY
CHARACTERSTICS



Q vs. FREQUENCY CHARACTERISTICS

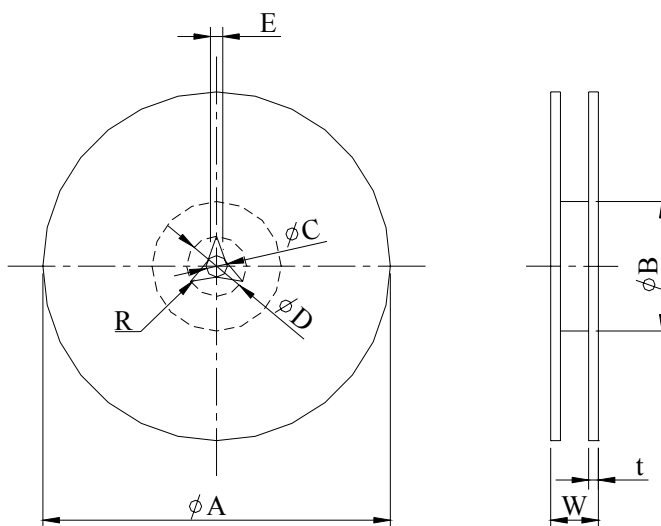




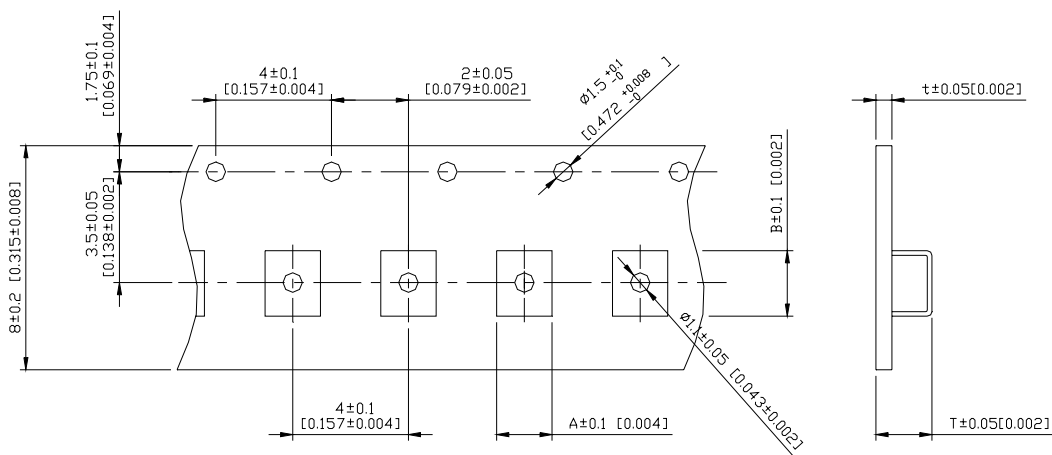
MF2012 SERIES – Multilayer Ceramic Chip Inductors



PACKAGING SPECIFICATION



	A	B	C	D	E	W8	W12	t	R
T($\phi 178\text{mm}$) Reel	$\phi 178 \pm 2$	$\phi 60 \pm 1$	$\phi 13 \pm 0.8$	$\phi 21 \pm 0.8$	2	10 ± 1.5	14.5 ± 1.5	1.27 ± 0.2	1



TYPE	A	B	T	t	T($\phi 178\text{mm}$)	T($\phi 330\text{mm}$)
MF2012	1.55	2.30	1.20	0.2	4000 pcs/reel	-