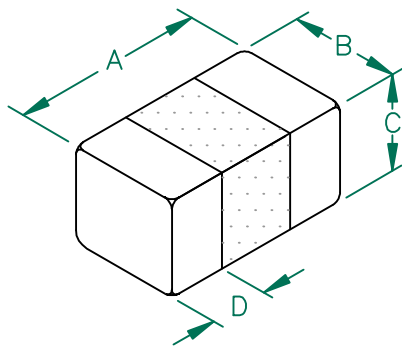


# LI0402B301R-10

**UNCONTROLLED DOCUMENT**

## PHYSICAL DIMENSIONS:

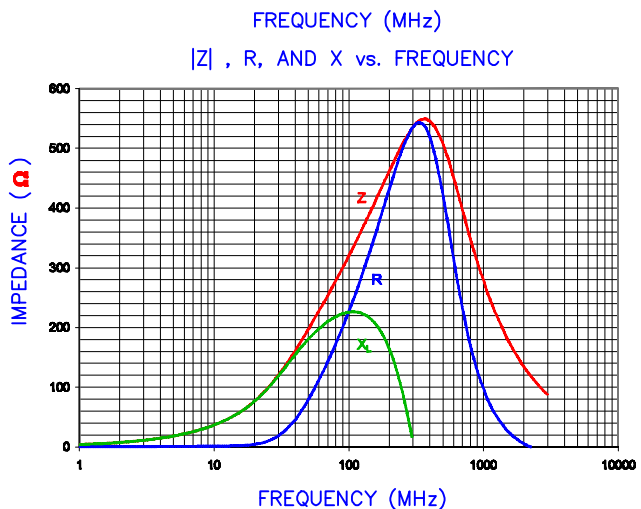
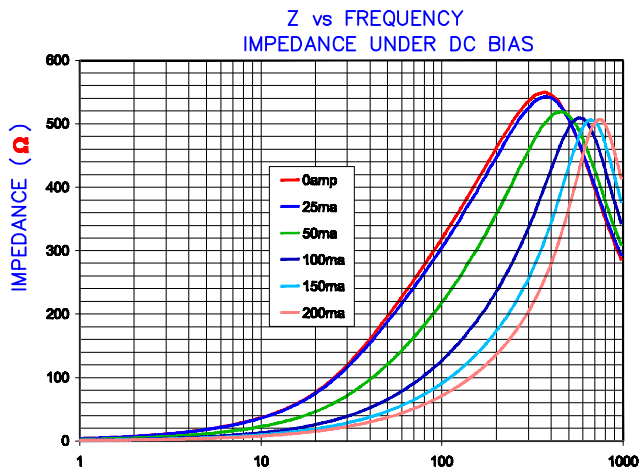
A	1.01 [.040]	+	0.18 [.007]
B	0.50 [.020]	+	0.20 [.008]
C	0.50 [.020]	+	0.20 [.008]
D	0.30 [.012]	+	MAX.



ELECTRICAL CHARACTERISTICS:			
Z @ 100MHz (Ω)	DCR (Ω)	Rated Current	
Nominal	300		
Minimum	225		
Maximum	375	0.80	200 mA

NOTES: UNLESS OTHERWISE SPECIFIED

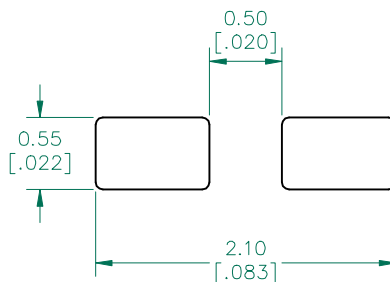
1. TAPED AND REELED per CURRENT EIA SPECIFICATIONS 7" REELS, 10,000 PCS/REEL, PAPER TAPE.
2. TERMINATION FINISH IS 100% TIN.
3. COMPONENTS SHOULD BE ADEQUATELY PREHEATED BEFORE SOLDERING.



**Z**      **R**      **X<sub>L</sub>**

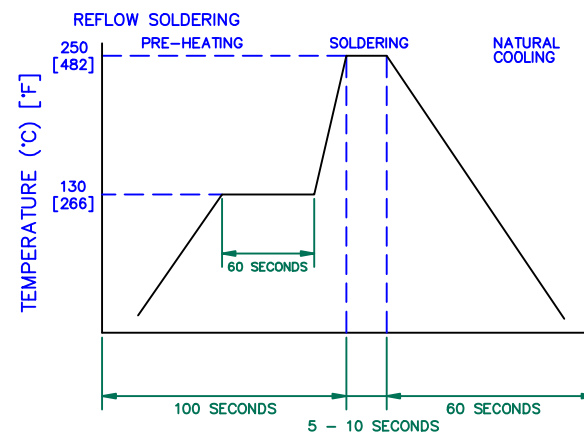


## LAND PATTERNS FOR REFLOW SOLDERING



(For wave soldering, add 0.762 [.030] to this dimension.)

## RECOMMENDED SOLDERING CONDITIONS



DIMENSIONS ARE IN mm [INCHES].				This print is the property of Laird Tech. and is loaned in confidence subject to return upon request and with the understanding that no copies shall be made without the written consent of Laird Tech. All rights to design or invention are reserved.			
C	UPDATE COMPANY LOGO	07/08/08	JRK	PROJECT/PART NUMBER:	REV	PART TYPE:	DRAWN BY:
B	CHANGE REEL QTY FROM 4000, ADD PAPER TAPE TO NOTE #1, ADD ROHS SYMBOL	11/13/07	JRK	LI0402B301R-10	C	CO-FIRE	TMB
A	ORIGINAL DRAFT	04/05/04	TMB	DATE:	SCALE:	NTS	SHEET:
REV	DESCRIPTION	DATE	INT	GAD #	TOOL #	-	2 of 2
				04/05/04			
				LI0402B301R-10-C			

